

## Genset engine Weichai-Deutz TD226B-4D

The renowned conventional MWM 226B engine construction with separate cylinder heads, removable cylinder liners and gear-distribution makes reliable operation and convenient maintenance possible. The 226B engine family is famous for its widespread application in Fendt, Renault and Deutz tractors and Hanomag cranes. Today, the engine is built by Weichai Deutz with some parts still coming from Germany.



### PERFORMANCES

	<i>Prime Power</i>	<i>Standby Power</i>
<i>Performances</i>	60 kW	66 kW
<i>Speed</i>	1500 rpm	
<i>Cylinders</i>	4	
<i>Cylinder volume</i>	4,16 L	

#### *Prime Power*

The Prime Power is the maximum power available with varying loads while operating for an unlimited number of hours. The average power output during a 24 h period of operation must not exceed 80% of the declared prime power between the prescribed maintenance intervals and at standard environmental conditions. In accordance with ISO 8528-1 'Prime Power'. A 10% overload is permissible for 1 hour every 12 hours of operation.

#### *Standby Power*

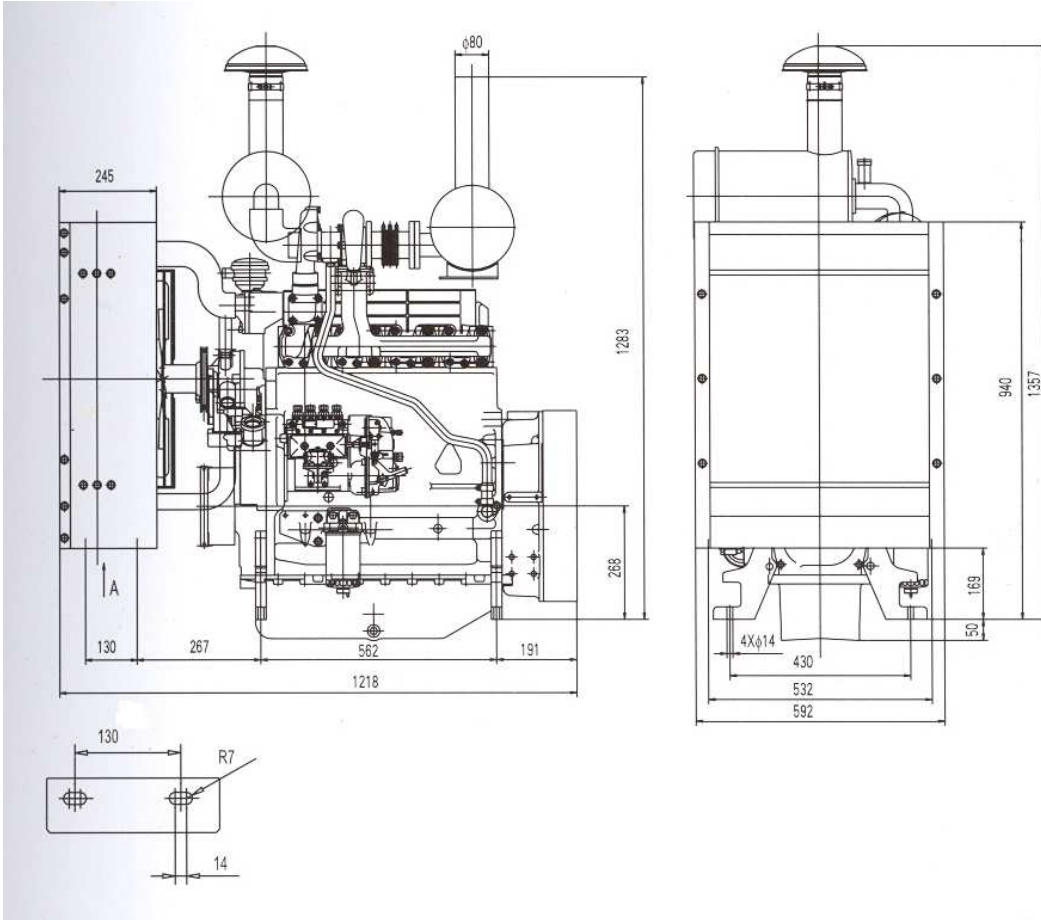
This is the nominal engine power available at varying load factors for up to 500 hours per year, in accordance with ISO 8528-1 'limited time running power (LTP)' Overload is not allowed.

<i>MODEL</i>	<i>TD226B-4D</i>
Type	Water cooled, in-line, four-stroke wet cylinder liner, direct injection
Speed	1500 rpm
Bore x Stroke	105 x 120 mm
Idling speed	800 ± 50
Compression ratio	15.5
Aspiration	Turbocharged
Valves per cylinder intake/exhaust	1/1
Firing order	1-3-4-2
Piston speed	6 m/s
Fuel deliver advance angle	14 ± 5°
Permitted gradient longitudinal/cross	30° / 40°
Noise	≤110 dB
Starting method	Electric starting
Voltage	24V
Cooling method	Closed water cooled
Governing method	Electronical
Intaking method	Turbocharged
Number of cylinders	4
Fuel consumption at prime power	16,1 L/hour
Exhaust temperature	550 °C
Displacement	4,16 L
Oil volume	9 L
Engine crankcase ventilation	open
Weight	570 kg
Crankshaft rotation view from front	Counterclockwise
Recommended battery capacity	66 Ah
Thermostat start open/full open	75 °C / 90 °C
Power unit coolant capacity	17 L
Starter power	4 kW
Flywheel	SAE 3
Optional:	Mechanical speed governing system

### *DOCUMENTATION*

- Engine test report
- Engine spare parts book
- Engine service manual extended

# TD226B-4D



# SAE 3

